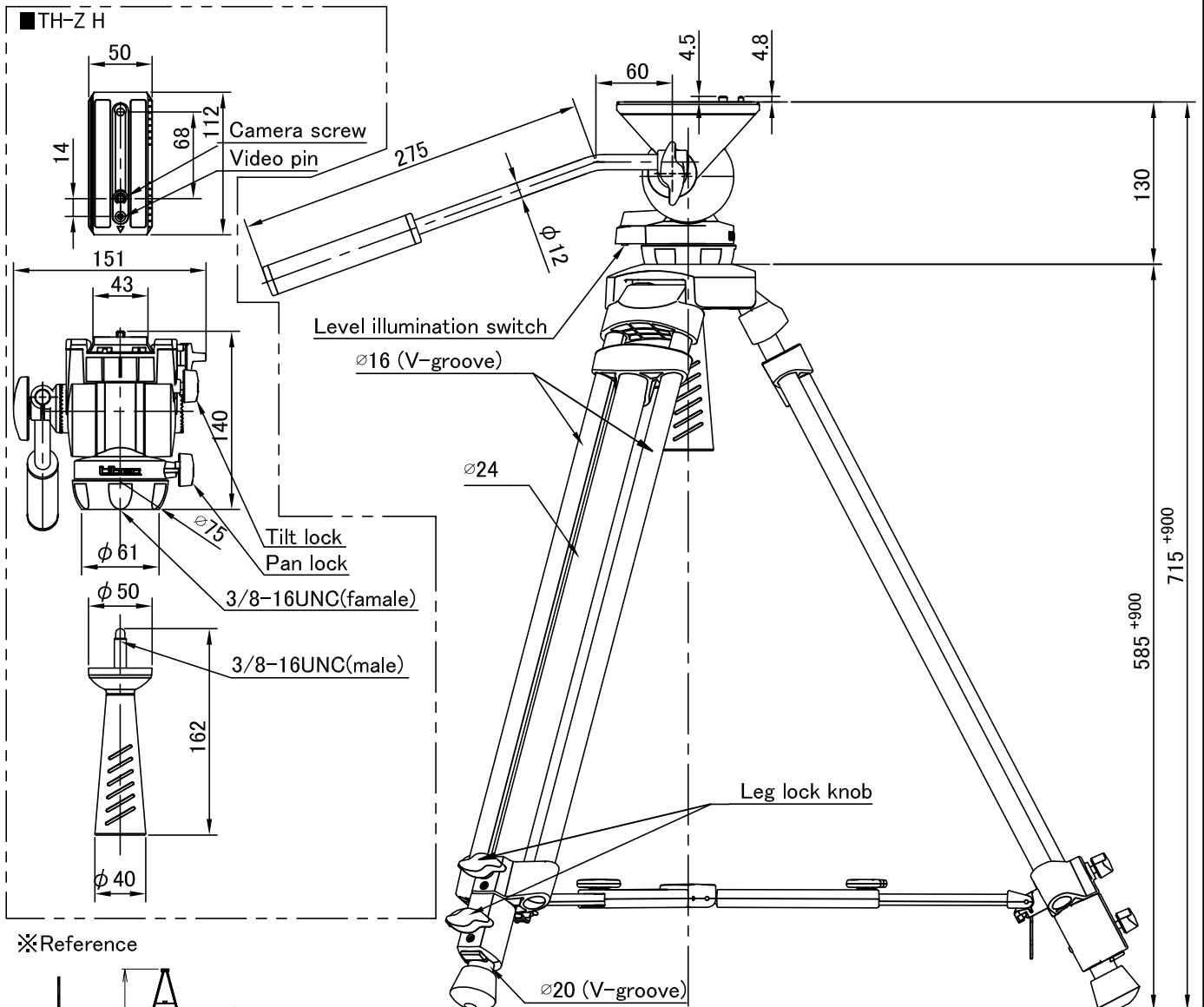


| | | | |
|---|---|-----------------|--|
| System | TH-Z H (Head) + TH-Z T (Tripod) + RC-10 (Carrying case) | | |
| Payload | 5 kg / 11 lb | Tilt angle | +90° / -80° |
| Weight | 3.5kg / 7.7 lb | Pan angle | 360° |
| Height | ① H: 1615 mm W: 835 mm (※Reference) | Counterbalance | FIX |
| | ② H: 715 mm W: 620 mm (") | | --- |
| Folded length | ③ L: 785 mm (") | Drag mode | FIX |
| Camera plate (Sliding range) | Sliding plate | Head base | Ball $\varnothing 75$ mm / Flat base with 3/8" female thread |
| | ± 30 mm / ± 1.2 " | Section | 2 STAGE (Material: Aluminum) |
| Plate attachment (Screw sliding range) | 1/4-20UNC screw with video pin | Tripod fixation | Fixing lock knob |
| | 68 mm / 2.7" | Spreader | Mid-level spreader (Telescopic) *Unremovable |
| Spare screw | None | Pan handle | Unique pan handle (Non-telescopic) |
| | --- | Case material | Nylon, Polyester, TPE, PE, PP, POM |

Remarks

■ Exterior Dimensions (mm)

■ TH-Z H



※Reference

