

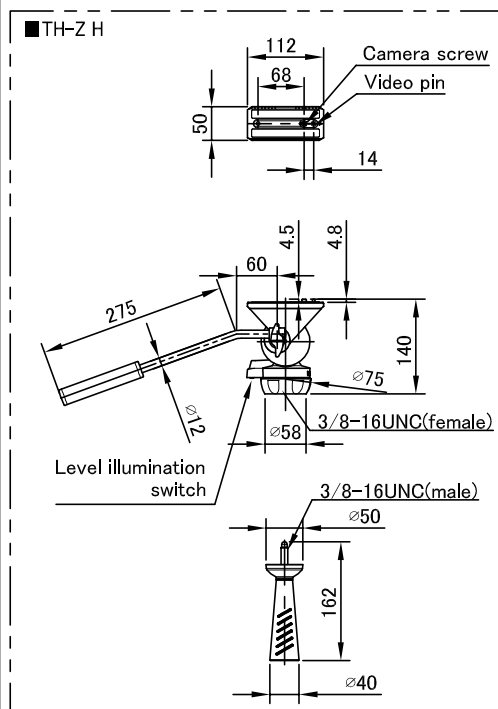
System	TH-Z H (Head) + TH-Z T (Tripod) + RC-10 (Carrying case) + ALX S4 (Slider) + ALX S4 Case		
Payload	5 kg / 11 lb	Tilt angle	+90° / -80°
Weight	4.9kg / 10.8 lb	Pan angle	360°
Height	① H : 1685 mm W : 835 mm (※Reference) (※1)	Counterbalance	FIX
	② H : 785 mm W : 620 mm (") (※1)		---
Folded length	③ L : 855 mm (")	Drag mode	FIX
Camera plate (Sliding range)	Sliding plate	Head base	Ball $\varnothing 75$ mm / Flat base with 3/8" female thread
	± 30 mm / ± 1.2 "	Section	2 STAGE (Material: Aluminum)
Plate attachment (Screw sliding range)	1/4-20UNC screw with video pin	Tripod fixation	Fixing lock knob
	68 mm / 2.7"	Spreader	Mid-level spreader (Telescopic) *Unremovable
Spare screw	None	Pan handle	Unique pan handle (Non-telescopic)
	---	Case material	Nylon, Polyester, TPE, PE, PP, POM, EPE

Remarks

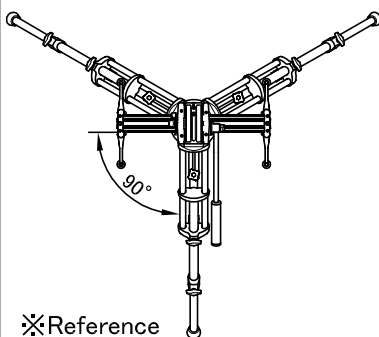
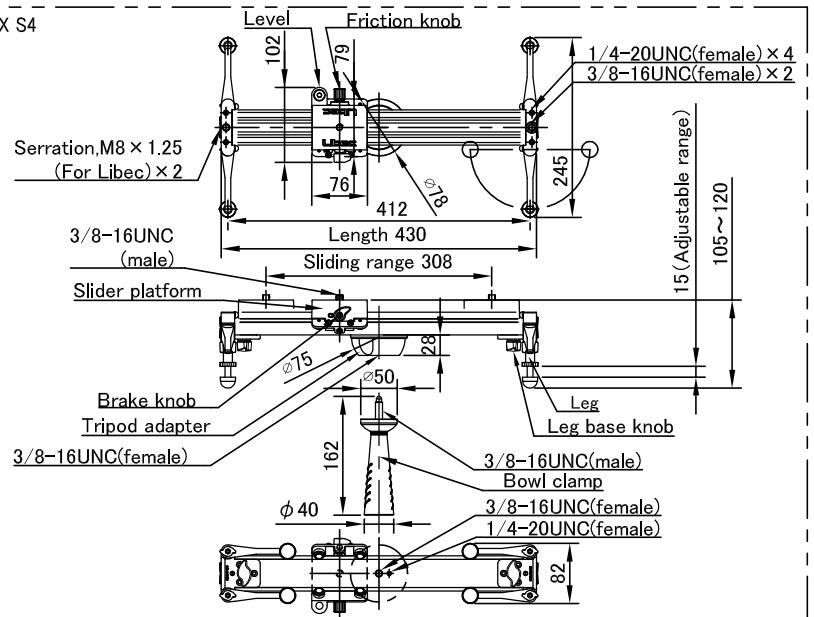
ALX S4 Payload : For table top 15 kg / 33.0 lb

■ Exterior Dimensions (mm)

■ TH-Z H



■ ALX S4



※Reference

